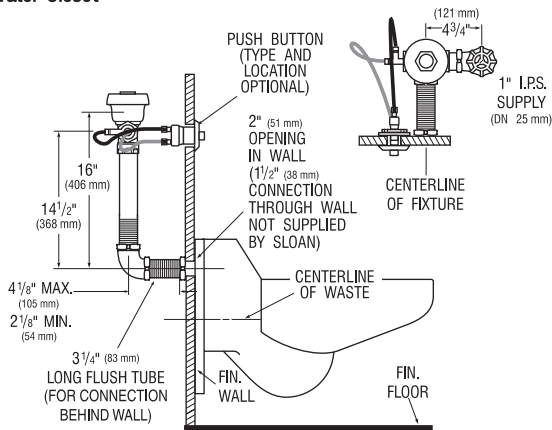


# Hydraulic Prison Regal® 9603 XL Model Flushometer

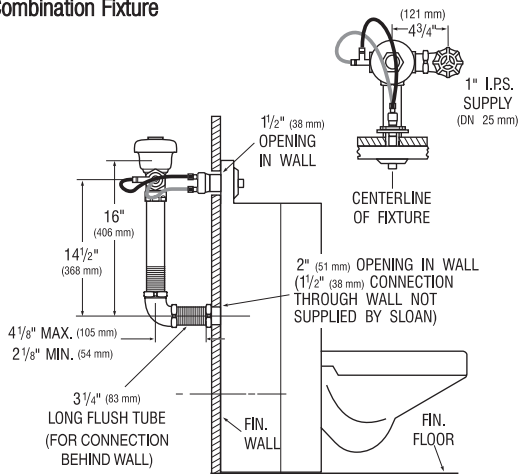


- ▶ **Models Available**
    - Regal 9603 XL
    - Regal 9603 XL-L
    - Regal 9603 XL-MBFW
  - Regal 9603 XL-AFD
  - Regal 9603 XL-MBPM
  - Regal 9603 XL-AFD-MBPM
- Less Actuator  
Metal Button Fixture Wall Actuator (HY-100-A) (rear access)  
Shorter Vacuum Breaker - for use with Anti-Flood Device (Anti-Flood Device NOT provided by Sloan)  
Metal Button Panel Mount (HY-108-A) for use only with Wall Box or when Access Panel is provided in combination fixture  
Shorter Vacuum Breaker and Metal Button Panel Mount (HY-108-A)

## Water Closet



## Combination Fixture



▶ **Description**  
Concealed Hydraulically Activated Water Closet Flushometer, for Stainless Steel back spud water closets and Combination Fixtures. For use with: Acorn® • Bradley® • Metcraft® • Willoughby® and similar fixtures.

- ▶ **Flush Cycle**
  - Model 9603 Water Saver (3.5 gpf/13.2 Lpf)
  - Model 9603-1.6 Low Consumption (1.6 gpf/6.0 Lpf)

▶ **Specifications**  
Quiet, Concealed, Diaphragm Type, Rough Brass Closet Flushometer for either left or right hand supply with the following features:

- ADA Compliant Non-Hold-Open feature type Actuator (**specify Actuator type listed below**)
- 1" I.P.S. Wheel Handle Bak-Chek® Angle Stop
- Adjustable Tailpiece and Vacuum Breaker
- Elbow Flush Connection and Coupling for 1-1/2" NPT Back Inlet (for connection in the pipe chase — flush connection through the wall not provided by Sloan)
- Exposed parts Chrome Plated
- Sweat Solder Adaptor
- High Copper, Low Zinc Brass Castings for Dezincification Resistance
- Non-Hold-Open Push Button, Fixed Metering Bypass, No External Volume Adjustment to Ensure Water Conservation and Low Consumption Flush Accuracy
- Handle Packing, Stop Seat and Vacuum Breaker molded from PERMEX™ Rubber Compound for Chloramine Resistance

Valve Body, Cover, Tailpiece and Control Stop shall be in conformance with ASTM Alloy Classification for Semi-Red Brass. Valve shall be in compliance to the applicable sections of ASSE 1037.

▶ **Accessories**  
See Accessories Section of the Sloan catalog for details on these and other Flushometer variations.

▶ **Fixtures**  
Consult Sloan for Sloan brand matching fixture options.



This space for Architect/Engineer approval

Job Name \_\_\_\_\_ Date \_\_\_\_\_

Model Specified \_\_\_\_\_ Quantity \_\_\_\_\_

Variations Specified \_\_\_\_\_

Customer/Wholesaler \_\_\_\_\_

Contractor \_\_\_\_\_

Architect \_\_\_\_\_

The information contained in this document is subject to change without notice.



SLOAN VALVE COMPANY • 10500 SEYMOUR AVE. • FRANKLIN PARK, IL. 60131  
Ph: 1-800-9-VALVE-9 or 1-847-671-4300 • Fax: 1-800-447-8329 or 1-847-671-4380  
www.sloanvalve.com

Made In The USA



Sloan Valve Company is buying renewable energy certificates to meet 100% of the company's purchased electricity use at its Franklin Park, Illinois facility.